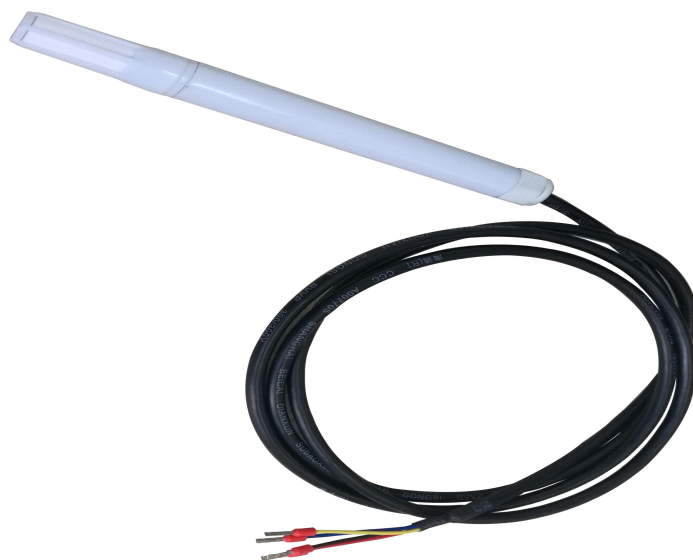


TEMPERATURE & HUMIDITY SENSOR

RY-WS301

MANUAL



INTRODUCTION

RY-WS301 is developed for the measurement of temperature and humidity in outdoor meteorological monitoring system. It has the characteristics of linear response, wide measurement range, high accuracy, etc., and the probe solves the problems of temperature drift and temperature compensation.

FEATURES

- Sensitive element with imported integrated
- Standard current and voltage signal output, optional temperature measurement range, single wet product
- Universal, hand-held design, easy to use
- special filter tube, excellent waterproof and dustproof
- Strong resistance to condensation, suitable for long-term operation in high humidity environment
- Fast response time, excellent long-term stability
- The external sensor can effectively reduce the influence of the self heating of the transmission circuit

APPLICATION

It is widely used in outdoor, communication room, intelligent building, subway, shopping mall, library and other places, especially in the field of precise measurement and control of temperature requirements. The sensor shell is professionally customized with mould dust-proof and waterproof, and the outdoor application is equipped with shutter box.

COMMUNICATION PROTOCOL

Communication specification

9600,N,8,1

Write station number:

Command format: Device address Function code Start register address

No. of registers Data length Data CRC check

xx 10 0001 0001 02 00xx CRCloCRChi (XX=0X01-0XFF)

Write register response

Device address Function code Start register address No. of registers CRC check

xx 10 0001 0001 CRCloCRChi

Example

Command 00 10 00 01 00 01 02 00 33 EA 04

Respond 00 10 00 01 00 01 51 D8

Read station number command (fixed command)

Device address Function code Start register address No. of registers CRC check
00 03 0001 0001 CRCloCRChi

Station respond

Device address Function code Data length Data CRC check
00 03 02 00xx CRCloCRChi (XX=01-ff)

Example

Read station number

Command 00 03 00 01 00 01 D4 1B

Respond 00 03 02 00 FF C5 C4

Read Date

Device address Function code Start register address No. of registers CRC check
xx 03 0000 0002 CRCloCRChi

Data respond

Device address Function code Data length Data CRC check
xx 03 04 00yy CRCloCRChi

Example

Command FF 03 00 00 00 02 D1 D5

Respond FF 03 04 16 76 0D FF 44 BE

Temperature: 4th, 5th 16 76

Temperature= $16\ 76 = 5750/100 - 40 = 17.5^{\circ}\text{C}$

Humidity: 6th ,7th

Humidity= $0D\ FF = 3583/100 = 35.83\%$



ABS engineering plastics with light shutter box for outdoor type

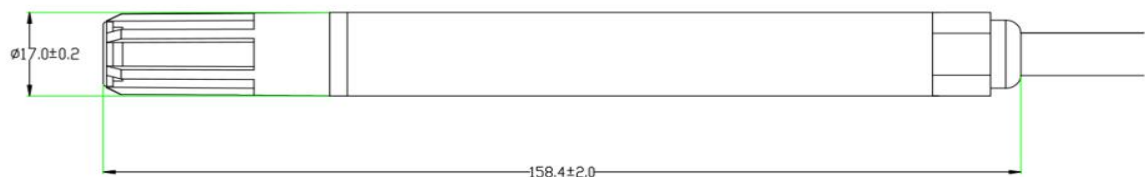
TECHNICAL SPECIFICATION

- Measuring range: -40-60°C 0-100%RH
- Accuracy: $\cong \pm 0.3^{\circ}\text{C}$ (@25°C, typical)
 $\cong \pm 3\% \text{RH}$ (@25°C, 20%-80%RH, typical)
- Long-Term Stability: $< 0.5^{\circ}\text{C}/\text{year}$ $< 3\% \text{RH}/\text{year}$
- Respond time: $< 15\text{S}$ $< 12\text{S}$ (63%)
- Output signal:

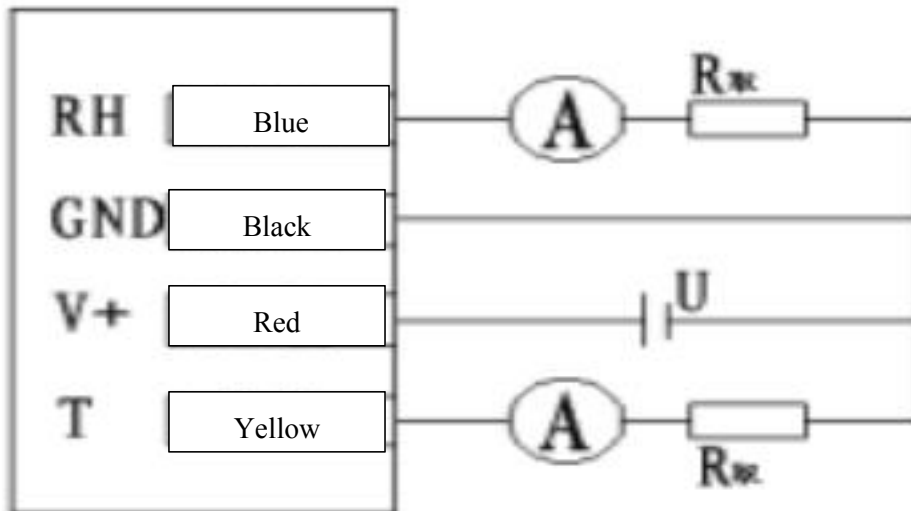
RY-WS301/V	RY-WS301/S	RY-WS301/485
0-10V	4-20mA	RS485/485

- Supply power: DC9-24V
- Work temperature: -40-60°C
- Storage condition: -40-80°C (non-condensation)
- Work current: DC12V $< 20\text{ma}$ (485) ; DC12V $< 45\text{ma}$ (current)
- Power Consumption: DC12V $< 0.24\text{W}$ (485) ; DC12V $< 0.54\text{W}$ (current)
- Ingress Protection: IP65
- Cable length: 3m (customizable)
- Farthest lead wire: Current 200m、RS485 100 m、voltage 50m
- Shell material: ABS
- Weight: $< 100\text{g}$

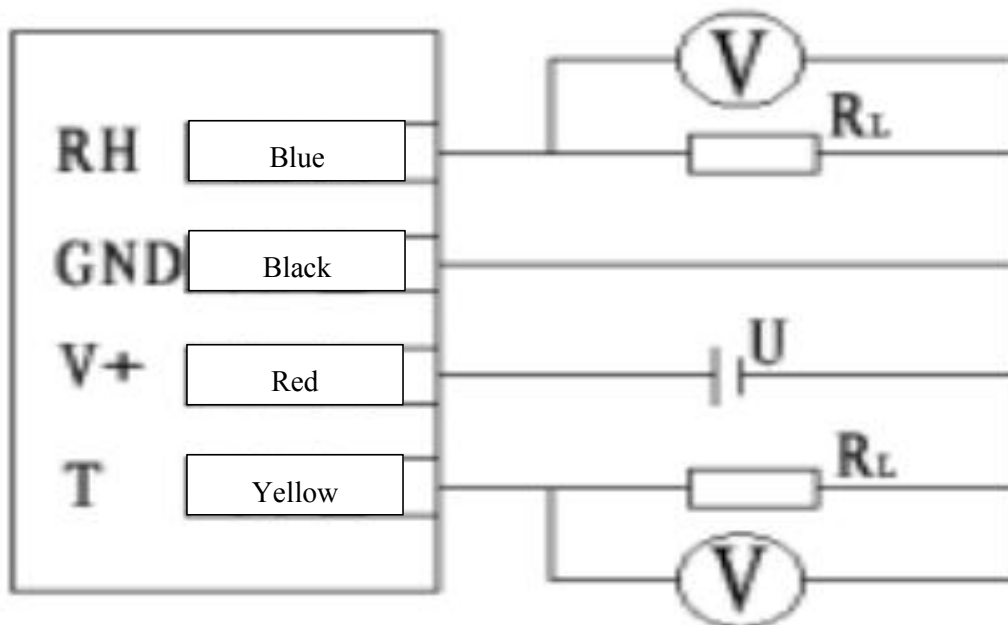
STRUCTURE (mm)



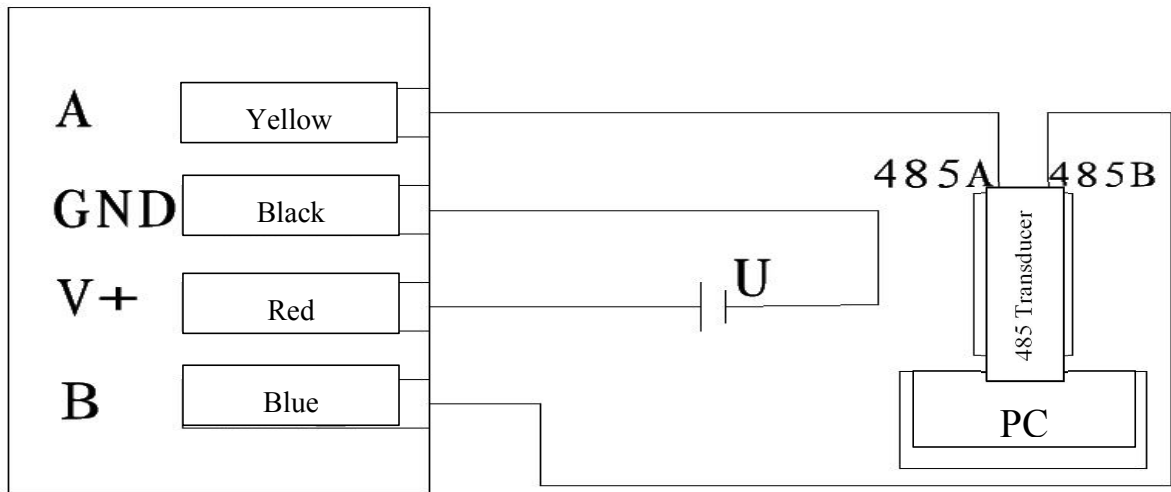
WIRING METHOD



three-wire current to measure temperature and humidity



three-wire voltage to measure temperature and humidity



485 communicatino connect

WARRANTY & SERVICE

Warranty commitment: the warranty period is 12 months from the delivery period (except for the product problems caused by the failure to operate according to the corresponding technical requirements or other human behaviors).

After sales commitment: users can consult relevant technical problems by phone and get clear solutions. If it is a quality problem, it can be returned to the factory for maintenance or replacement.

Service Phone: 0310-8033736